

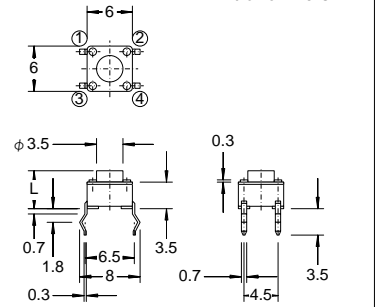
TACT SWITCH

SPECIFICATION

Circuit : OFF-(ON)
 Contact Rating : D.C. 12V 0.5A
 Initial Contact Resistance[max] : D.C. 5V 1A 30mΩ
 Insulation Resistance[min] : D.C. 500V 100MΩ
 Withstand Voltage : A.C. 500V 1minute

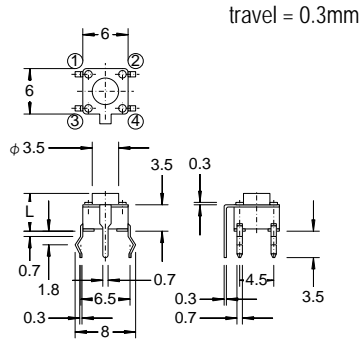
TS-001

- L= 4.3 ○
- 5.0 ○
- 7.0 ○
- 7.3 ○
- 7.3-2.4 □
- 8.0 ○
- 9.5 ○
- 12.5 ○
- 13.0 ○
- 13.5 ○
- 17.0 ○



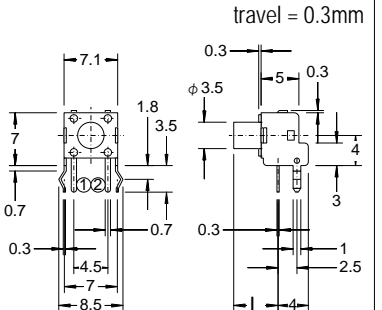
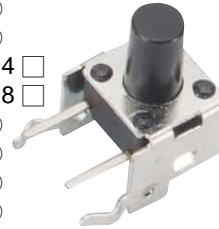
TS-002

- L= 4.3
- 5.0
- 7.0
- 7.3
- 8.0
- 9.5
- 12.5
- 13.0
- 13.5
- 17.0

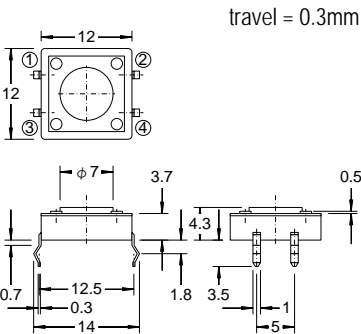


TS-004

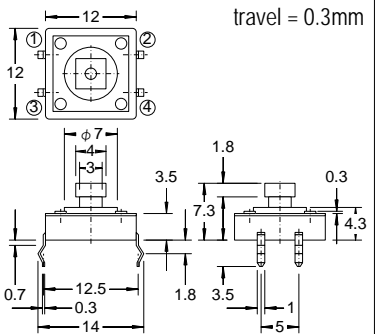
- L= 3.15 ○
- 3.85 ○
- 5.85 ○
- 6.15 ○
- 6.15-2.4 □
- 6.15-2.8 □
- 6.85 ○
- 8.35 ○
- 11.35 ○
- 12.35 ○



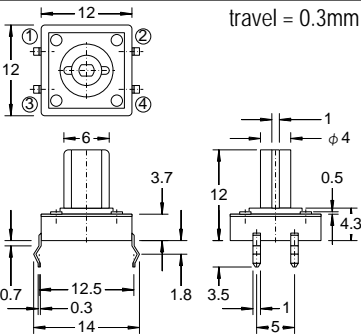
TS-005A



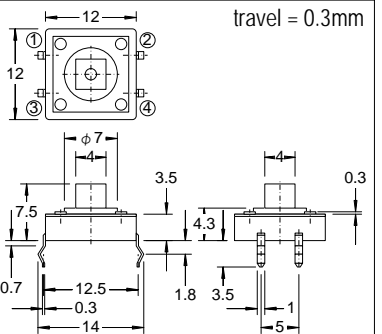
TS-005B



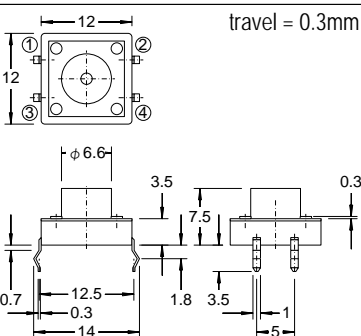
TS-005C



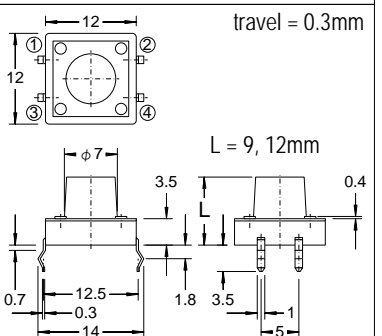
TS-005D



TS-005E

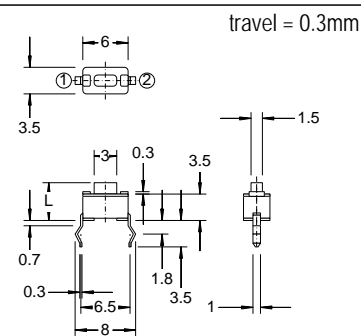


TS-005F



TS-006

- L= 4.3
- 5.0



TS-006S

- L= 4.3
- 5.0

