

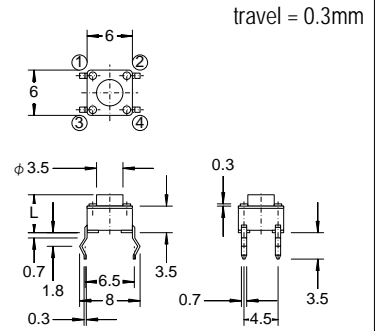
# TACT SWITCH

## SPECIFICATION

Circuit : OFF-(ON)  
 Contact Rating : D.C. 12V 0.5A  
 Initial Contact Resistance[max] : D.C. 5V 1A 30mΩ  
 Insulation Resistance[min] : D.C. 500V 100MΩ  
 Withstand Voltage : A.C. 500V 1minute

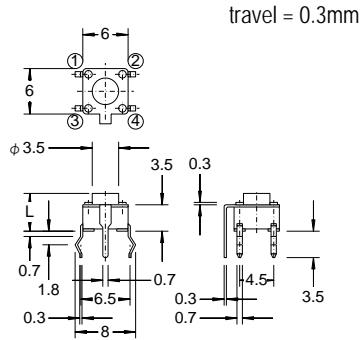
### TS-001

- L= 4.3 ○
- 5.0 ○
- 7.0 ○
- 7.3 ○
- 7.3-2.4 □
- 8.0 ○
- 9.5 ○
- 12.5 ○
- 13.0 ○
- 13.5 ○
- 17.0 ○



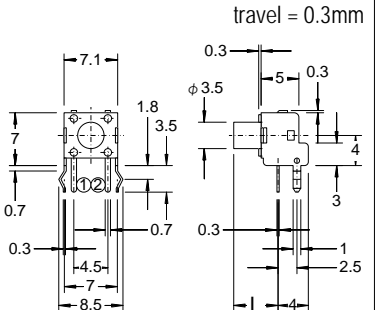
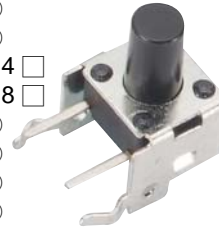
### TS-002

- L= 4.3
- 5.0
- 7.0
- 7.3
- 8.0
- 9.5
- 12.5
- 13.0
- 13.5
- 17.0

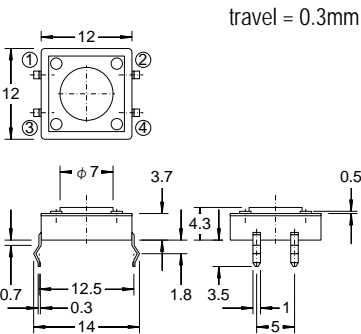


### TS-004

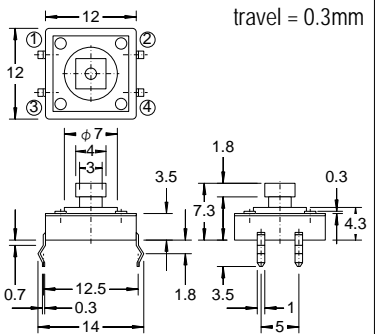
- L= 3.15 ○
- 3.85 ○
- 5.85 ○
- 6.15 ○
- 6.15-2.4 □
- 6.15-2.8 □
- 6.85 ○
- 8.35 ○
- 11.35 ○
- 12.35 ○



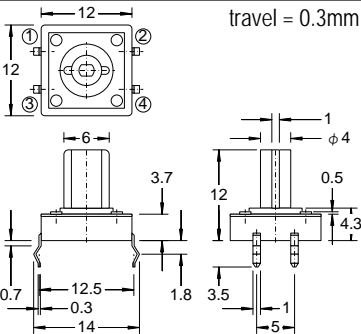
### TS-005A



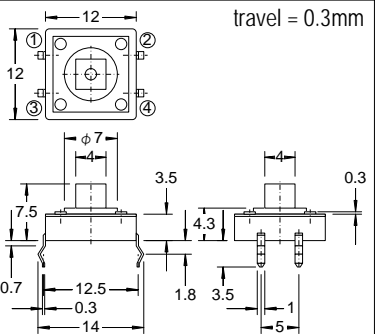
### TS-005B



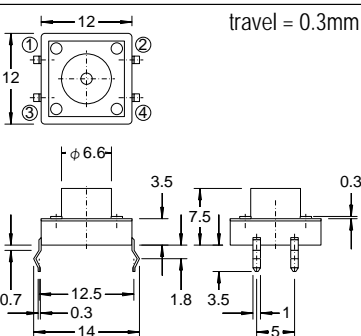
### TS-005C



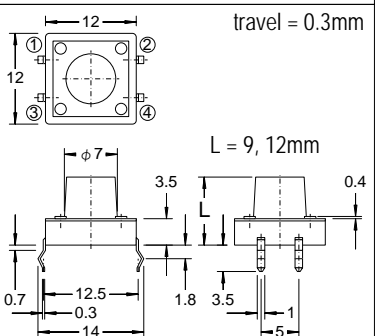
### TS-005D



### TS-005E

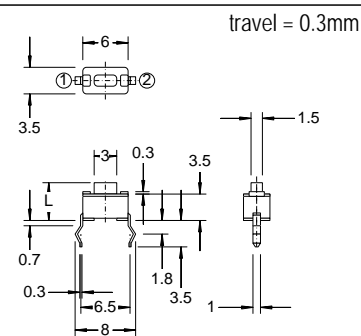


### TS-005F



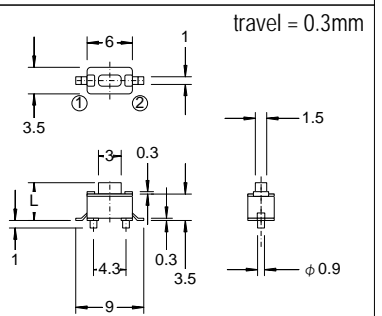
### TS-006

- L= 4.3
- 5.0


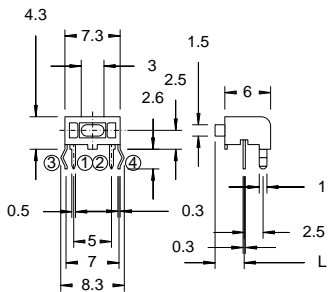
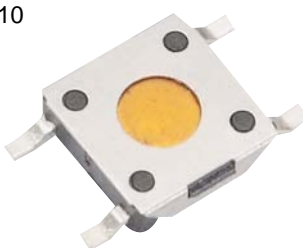
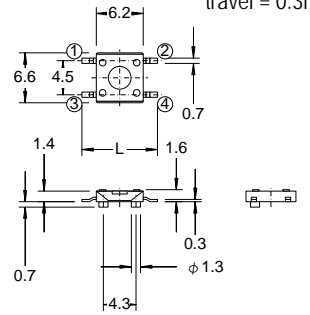
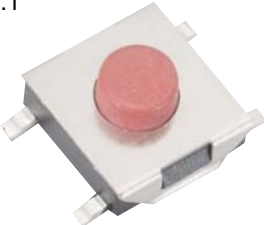
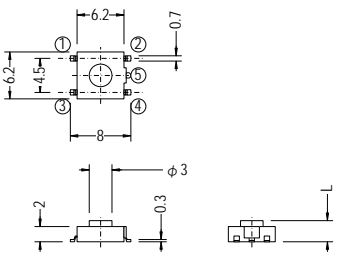
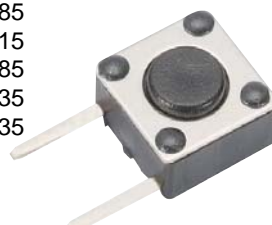
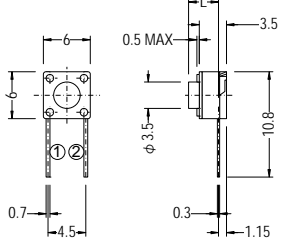

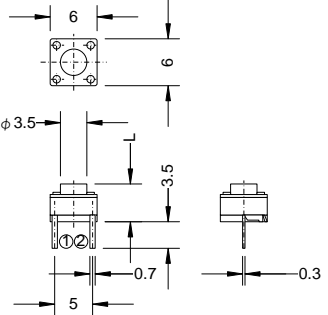

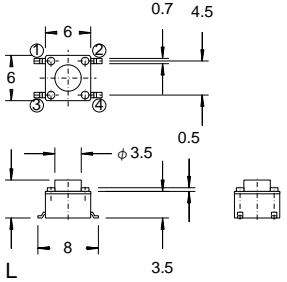

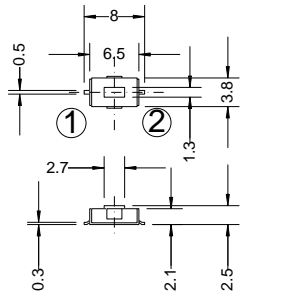

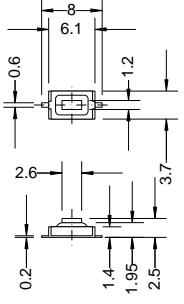

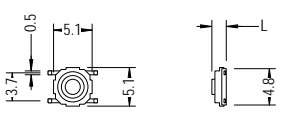

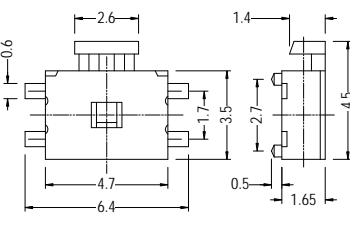
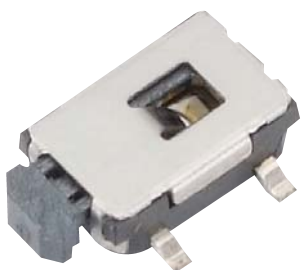
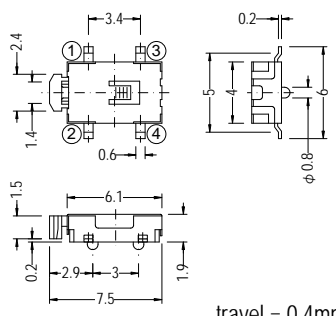


### TS-006S

- L= 4.3
- 5.0



# TACT SWITCH

<p><b>TS-006L</b> L= 3.15 3.85 6.85</p> 	<p>travel = 0.25mm</p> 	<p><b>TS-007</b> L= 8 10</p> 	<p>travel = 0.3mm</p> 
<p><b>TS-008</b> L= 2.5 3.1</p> 	<p>travel = 0.3mm</p> 	<p><b>TS-009</b> L= 3.15 3.85 5.85 6.15 6.85 8.35 11.35</p> 	<p>travel = 0.25±0.1mm</p> 
<p><b>TS-009B</b> L= 4.3 5.0 7.0 7.3 8.0 9.5 12.5 13.0 13.5 17.0</p> 	<p>travel = 0.3mm</p> 	<p><b>TS-010</b> L= 4.3 5.0 7.0 7.3 8.0 9.5 12.5 13.0 13.5 17.0</p> 	<p>travel = 0.3mm</p> 
<p><b>TS-011</b></p> 		<p><b>TS-012B</b></p> 	
<p><b>TS-014</b> L= 1.6 4.3</p> 		<p><b>TS-016</b></p>  <p>travel = 0.2mm</p>	
<p><b>TS-017</b></p> 	<p>travel = 0.4mm</p> 	<p><b>TS-020</b></p> 